



H. C. DAVIS SONS Manufacturing Co., Inc.

www.hcdavis.com

info@hcdavis.com



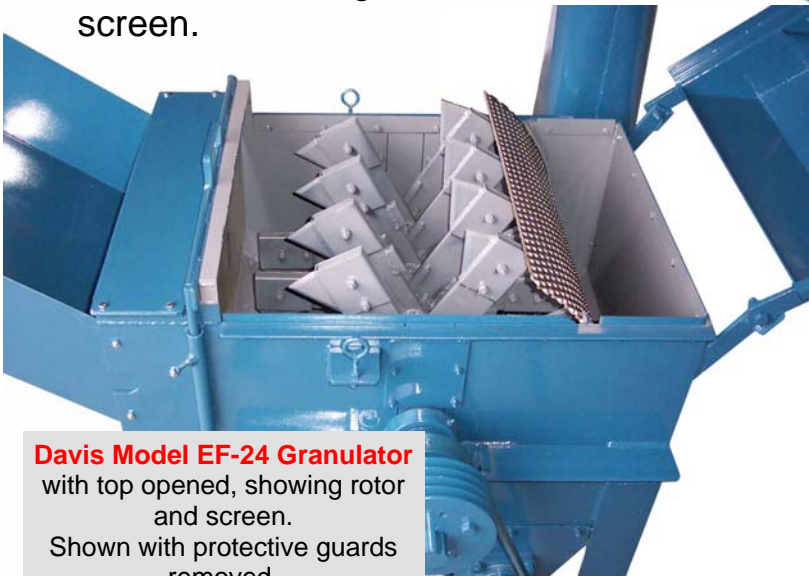
FEED GRANULATORS

Grind All Grains, Ear Corn, Hay, Cottonseed Hulls, Peanut Hulls, Dried Manure, Bark, etc.



Davis Model EF-24 Granulator
equipped with a 24" diameter by 24" wide High Speed Rotor with 24 Hardened and Sharpened bolt on knife tips. Shown with protective guards removed.

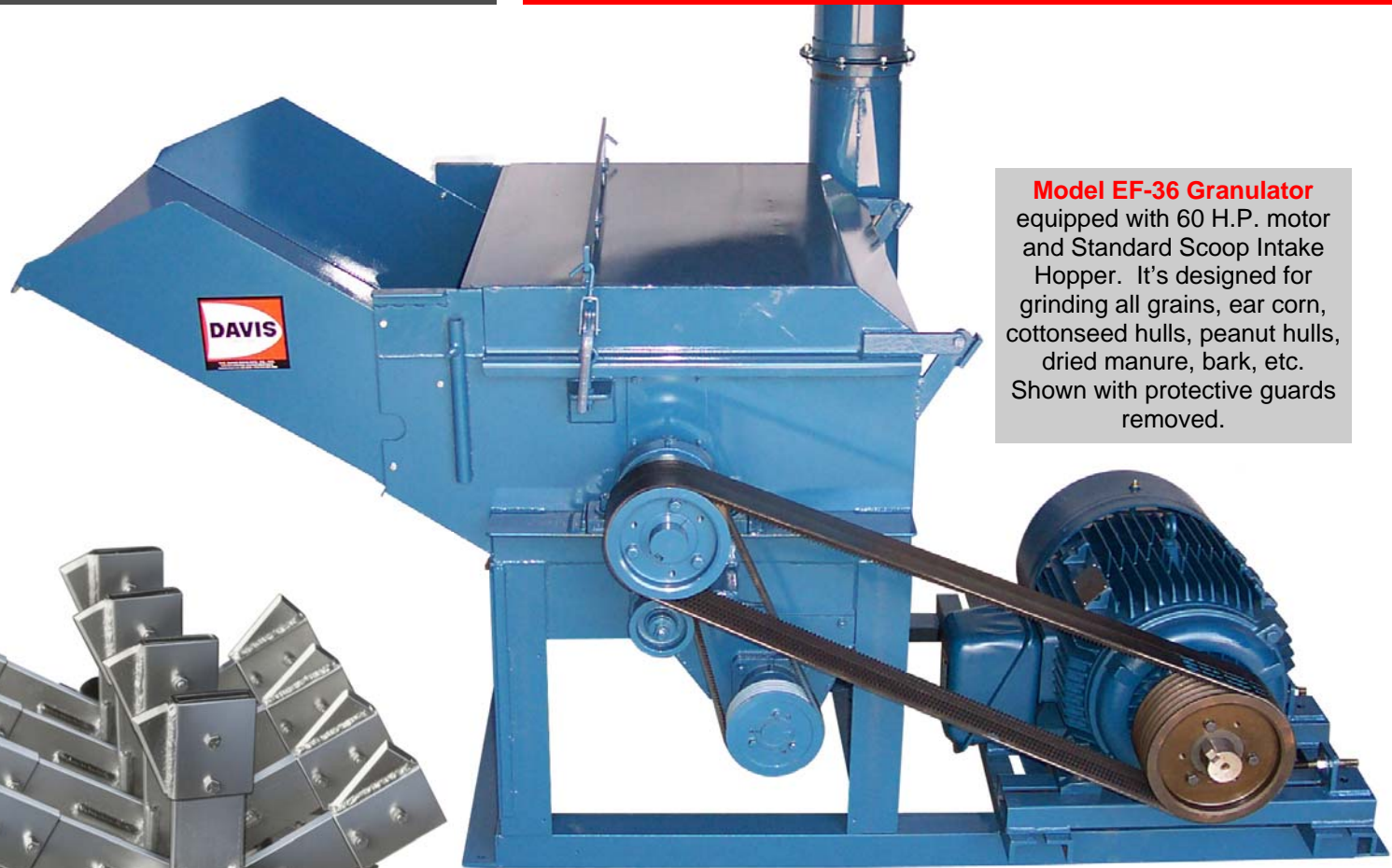
Our granulators are equipped with a hinged cover for quick and easy access to the inside. The operator can quickly inspect the rotor or change the screen.



Davis Model EF-24 Granulator
with top opened, showing rotor and screen.
Shown with protective guards removed.

SUCCESSOR TO THE HAMMER MILL

Our Rotor is equipped with Knives that have been sharpened and hardened through our heat treatment process. These knives slice and chop the product rather than hammer and explode it. Product is uniformly reduced to a granular consistency before passing through the screen with far less dust and fines than a hammer mill.



Model EF-36 Granulator equipped with 60 H.P. motor and Standard Scoop Intake Hopper. It's designed for grinding all grains, ear corn, cottonseed hulls, peanut hulls, dried manure, bark, etc. Shown with protective guards removed.

High Speed Rotor

with Hardened and Sharpened Bolt-On Knife Tips makes our Granulator superior to a Hammermill. The Slicing and Chopping action makes it much more POWER EFFICIENT and it PRODUCES LESS DUST AND FINES.

Model EF-36 Granulator

equipped with 60 H.P. motor and Chain Drag Feeder Table. This mill will cut up flakes 3' x 3' x 8' bales. With an optional hopper attachment, it can also be used grind grain and ear corn. Shown with protective guards removed.

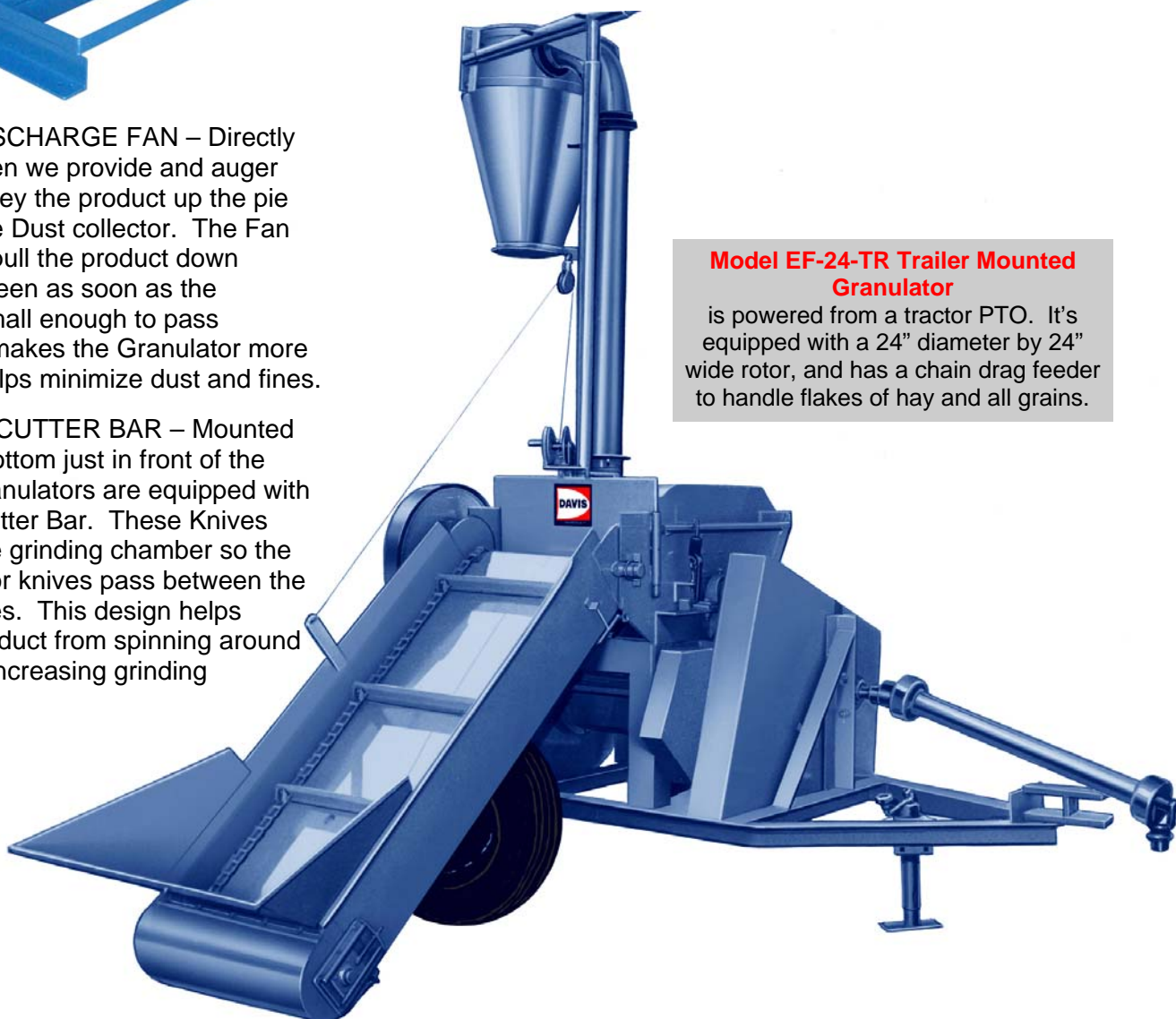




Model EF-12 Granulator
equipped with 20 H.P. motor
is built with a 24" diameter
by 12" wide high speed rotor.
Shown with protective
guards removed.

GRANULATOR ADVANTAGES:

- **HIGHER CAPACITY/LOWER POWER REQUIREMENT** – The chopping and slicing action of our Granulator requires far less power than a hammermill's blunt faced hammers that rely on exploding the product.
 - **FAST SCREEN CHANGE** – The operator simply releases the two clamps which allow the top section to swing open exposing the screen for quick removal. After it's replaced, closing the lid locks the new screen in place.
 - **SUPERIOR FINISHED PRODUCT** – The Davis Granulator's Sharp Knives chop and slice your product producing a more granular consistency. Hammermills explode the product and produce far too much dust and fines. Less dust produced equals less energy wasted
 - **BOLT-ON KNIFE TIPS** – When the hardened knife tips finally wear down, they're easily and quickly replaced by removing two bolts that hold the tip in place.
- **EFFICIENT DISCHARGE FAN** – Directly below the screen we provide an auger and fan to convey the product up the pipe and through the Dust collector. The Fan also serves to pull the product down through the screen as soon as the particles are small enough to pass through. This makes the Granulator more efficient and helps minimize dust and fines.
 - **STATIONARY CUTTER BAR** – Mounted inside on the bottom just in front of the screen, our Granulators are equipped with a Stationary Cutter Bar. These Knives stick up into the grinding chamber so the high-speed rotor knives pass between the stationary knives. This design helps prevent the product from spinning around with the rotor, increasing grinding efficiency.



Model EF-24-TR Trailer Mounted Granulator

is powered from a tractor PTO. It's equipped with a 24" diameter by 24" wide rotor, and has a chain drag feeder to handle flakes of hay and all grains.



H. C. DAVIS SONS Manufacturing Co., Inc.

www.hcdavis.com

info@hcdavis.com



Model EF-18 Granulator
 Equipped with 30 H.P. motor is built with a 24" by 18" wide high speed rotor. This Granulator was built with an oversized intake hopper so it could be loaded from several different angled augers. Shown with protective guards removed.

We offer free test grinding of your products.

GRANULATOR SPECIFICATIONS

MODEL	EF-12	EF-18	EF-24	EF-36
Horsepower Required	20	30 to 40	40 to 50	50 to 60
Rotor Width x Dia.	12" x 24"	18" x 24"	24" x 24"	36" x 24"
Number of Knife Tips	12	18	24	36
Housing Thickness	3/16" plate	1/4" Plate	1/4" Plate	1/4" Plate
Rotor Shaft Dia.	1-15/16"	1-15/16"	1-15/16"	2-7/16"
Fan Size (width x Dia.)	6" x 18"	6" x 18"	8" x 24"	8" x 24"
Fan Shaft Dia.	1-1/4"	1-1/4"	1-1/2"	1-15/16"

APPROXIMATE CAPACITIES (POUNDS PER HOUR)

Shelled Corn				
with 1/8" Screen	2,000	3,000	5,000	8,000
with 3/16" Screen	4,000	7,000	10,000	15,000
with 3/8" Screen	6,000	10,000	16,000	22,000
with 5/8" Screen	8,000	12,000	22,000	30,000
Oats, Barley & Wheat				
with 3/16" Screen	3,000	5,000	7,000	10,000
with 1/4" Screen	5,000	8,000	11,000	16,000
with 3/8" Screen	6,000	10,000	13,000	19,000
Ear Corn				
with 3/8" Screen	3,000	5,000	7,000	10,000
with 5/8" Screen	5,000	8,000	12,000	17,000
with 3/4" Screen	7,000	10,000	16,000	23,000
Flaked Alfalfa Hay				
with 3/4" Screen	N/A	5,000	6,000	10,000
with 1 1/2" Screen	N/A	7,000	10,000	15,000
with 2" Screen	N/A	8,000	12,000	18,000